

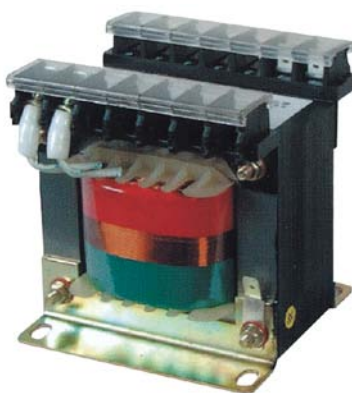
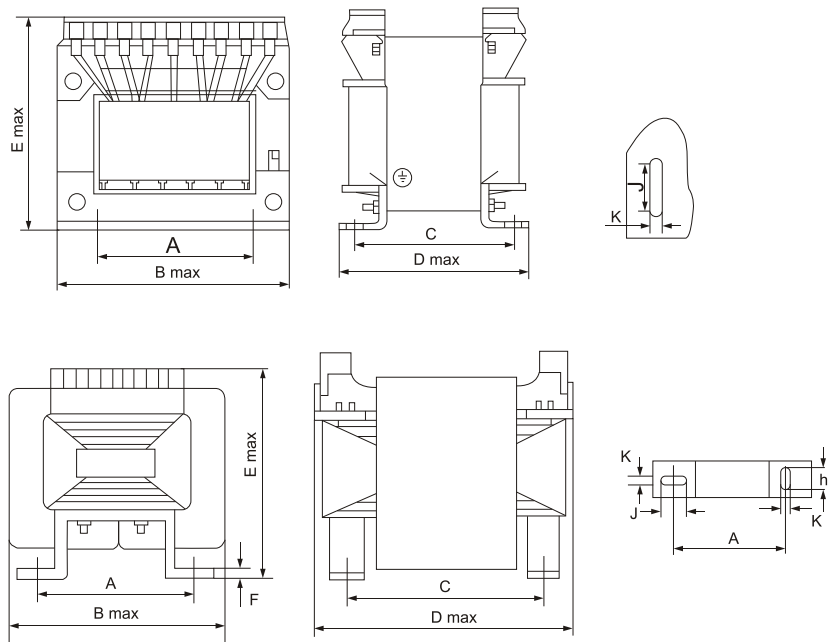
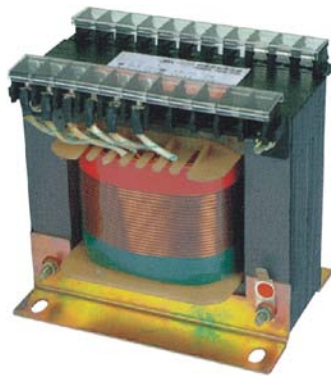
# JBK3 Machine Tool control Transformer



## Application

JBK3 series machine tool control transformer is a kind of new product by reference to sample of SIMENS Company, it accords with standards like VDE0550, IEC204-1, IEC439, GB5226 ect. it is suitable for AC circuit of 50-60Hz, output rated voltage less than 220V, input rated voltage less than 500V, worked as control power supply for mechanical equipment and general electrical appliance and as power supply for work lighting and signal lamp.

## Outline and installation dimension



Type	Bmax	Dmax	Emax	Hole distance for installation		installation hole K or KxJ	Fmax
				A	C		
JBK3-40, 63	78	75	89	56 ± 0.4	51 ± 2	4.8 × 9	12
JBK3-100	85	90	91	64 ± 0.4	68 ± 2	4.8 × 9	12
JBK3-160	96	97	105	84 ± 0.4	73 ± 2	5.8 × 11	14
JBK3-250	96	105	105	84 ± 0.4	85 ± 2	5.8 × 11	14
JBK3-400	120	105	123	103 ± 0.4	82 ± 2	7 × 12	18
JBK3-630	150	105	145	128 ± 0.5	86 ± 2	7 × 12	22
JBK3-1000	160	195	145	140 ± 2	158 ± 2	7 × 12	18
JBK3-1600	180	225	155	155 ± 2	180 ± 2	7 × 12	18
JBK3-2500	200	250	171	165 ± 2	210 ± 2	7 × 12	18